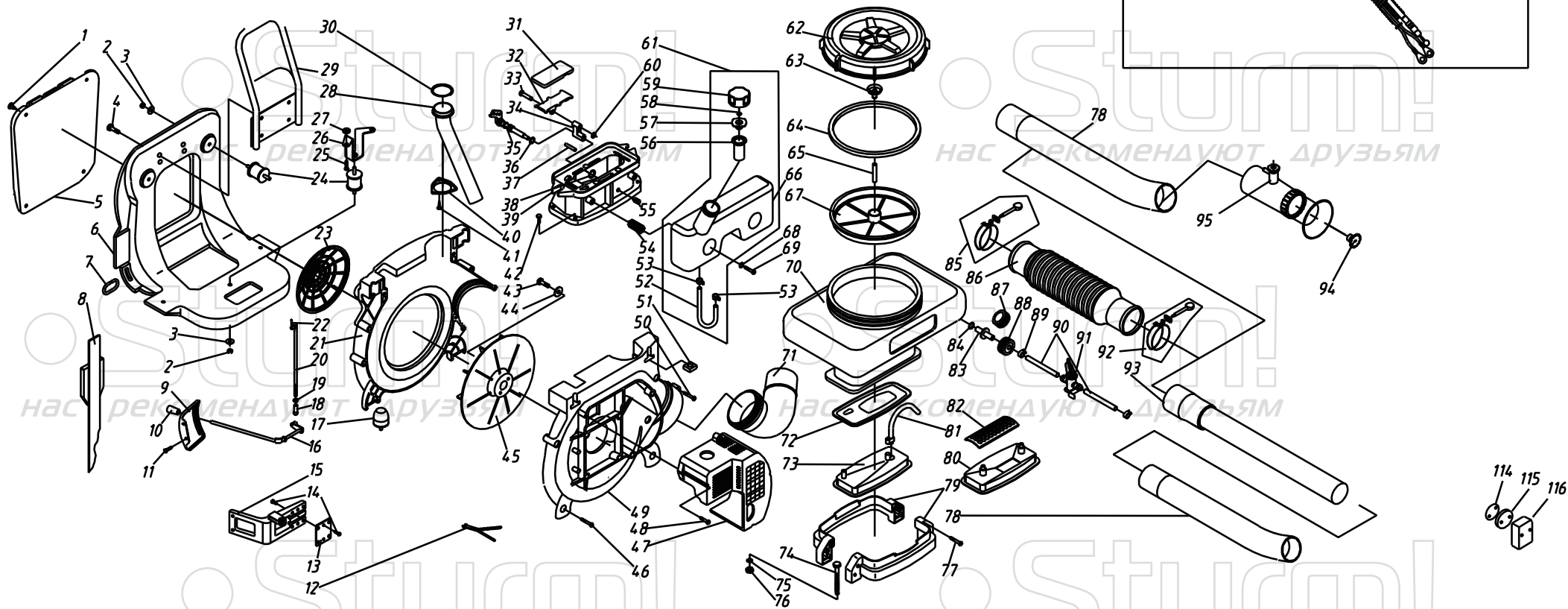


Sturm!
нас рекомендуют друзья

Sturm!
нас рекомендуют друзья



нас рекомендуют друзья

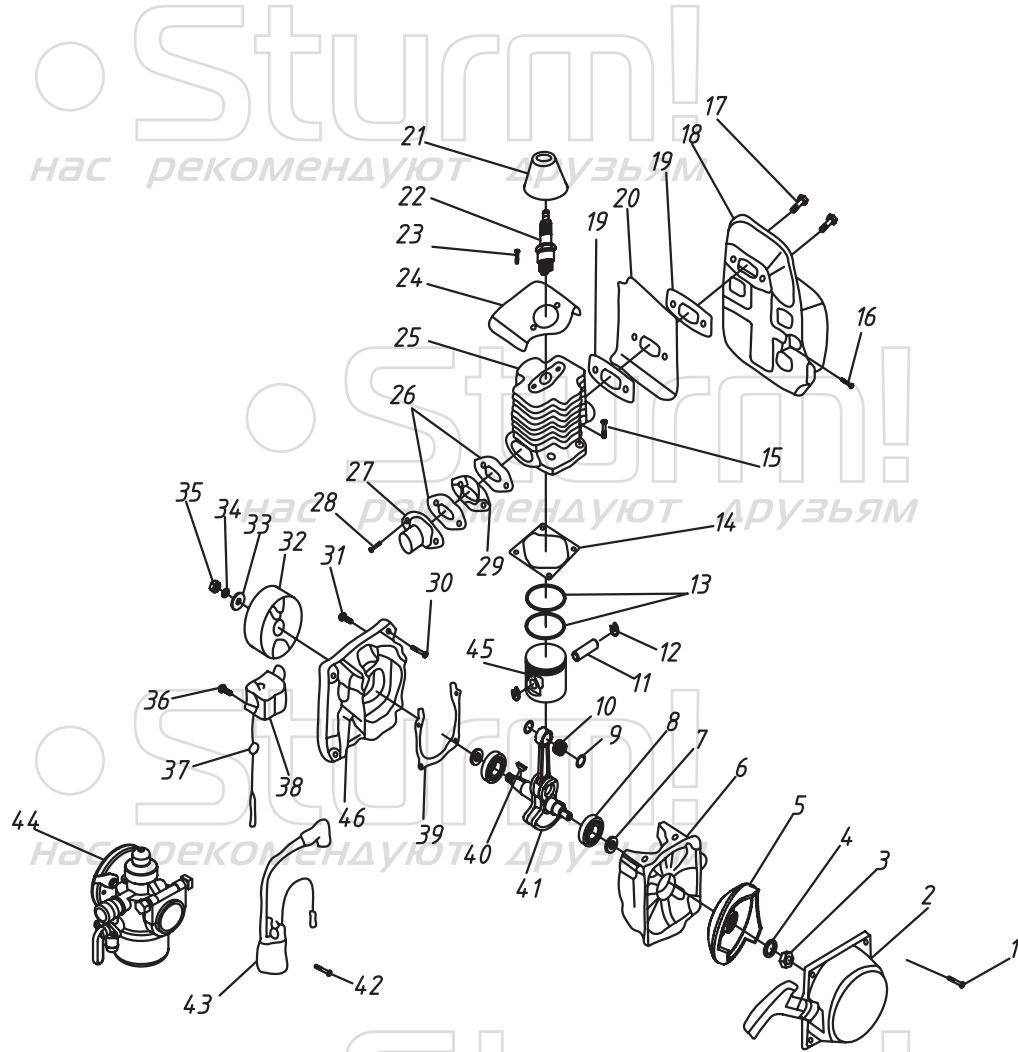
нас рекомендуют друзья

GS8214G

NO.	DESCRIPTION	NO.	DESCRIPTION	NO.	DESCRIPTION
1	CLIP	39	SHUTTER	77	BOLT ASSEMBLY
2	NUT	40	LID	78	LONG PIPE
3	WASHER	41	BOLT	79	CLAMP BOARD
4	BOLT ASSEMBLY	42	BOLT ASSEMBLY	80	DUSTING PLATE
5	PAD	43	BOLT	81	TUBE
6	FRAME	44	WASHER	82	PLATE
7	PULL LOOP	45	FAN	83	LINK PIPE
8	BELT	46	SCREW	84	GASKET
9	COVER	47	ENGINE COVER	85	CLAMP
10	HANDLE	48	SCREW	86	BIG HOSE
11	BOLT ASSEMBLY	49	RIGHT WORM CASE	87	SPRAY TANK CAP
12	INSURANCE CHAIN	50	LONG SCREW	88	LID
13	PLATE	51	NUT	89	CLIP
14	BOLT ASSEMBLY	52	WATER TUBE	90	PIPE
15	SUPPORT FRAME	53	CLIP	91	SWITCH
16	DUST ROD	54	FUEL TANK SUPPORT	92	CLAMP
17	SUPPORT COMPONENT	55	PLUG	93	PIPE ASSEMBLY
18	CONNECTOR	56	FUEL STRAINER	94	NOZZLE
19	NUT	57	LID	95	NOZZLE ASSEMBLY
20	PULLING ROD	58	FILTER	97	SHAFT
21	LEFT WORM CASE	59	FUEL TANK CAP	98	LOCK SHAFT
22	SPLIT PIN	60	RING	99	LEFT BOX
23	FAN COVER	61	FUEL TANK ASSEMBLY	100	SPRING WASHER
24	RUBBER	62	SPRAY TANK CAP	101	WASHER
25	BOLT ASSEMBLY	63	AIR VALVE	102	SWITCH
26	BRACKET	64	GASKET	103	WASHER
27	LINK WASHER	65	WATER TUBE	104	HAND GRIP
28	PIPE	66	FUEL TANK	105	SPRING
29	BELT FRAME	67	STRAINER	106	RIGHT BOX
30	RING	68	WASHER	107	SCREW
31	RUBBER PLATE	69	SCREW	108	SPACER
32	SLIDE	70	SPRAY TANK	109	SPRING
33	SLIDE PIN	71	BEND TUBE	110	SCREW
34	SUPPORT ARM	72	MISTING PLATE WASHER	111	STOP CABLE
35	ROCKET SHAFT	73	MISTING PLATE	112	THROTTLE CABLE
36	O RING	74	BOLT	113	PIPE
37	PIN	75	NUT	114	AIR FILTER PLATE
38	RING	76	WASHER	115	FILTER
				116	OUTSIDE COVER

RU-ST20171103

Engine for GS8214G



NO.	DESCRIPTION
1	SCREW ASSEMBLY
2	STARTER
3	NUT
4	WASHER
5	RATCHAT
6	BACK CRANKCASE
7	OIL SEAL RING
8	BEARING
9	WASHER
10	NEEDLE BEARING
11	PISTON PIN
12	STEEL RING
13	PISTON PIN
14	CYLINDER GASKET
15	SCREW
16	SCREW ASSEMBLY
17	SCREW
18	MUFFLER
19	GASKET
20	MUFFLER WASHER
21	SPARK COVER
22	SPARK
23	SCREW ASSEMBLY
24	COVER
25	CYLINDER
26	SEELING GASKET
27	INLET TUBE
28	SCREW ASSEMBLY
29	HEAT PAD
30	SCREW
31	SCREW
32	FLYWHEEL
33	WASHER
34	WASHER
35	NUT
36	SCREW
37	FIXITY
38	WINDING
39	CRANK BASE GASKET
40	KEY
41	CRANK
42	SCREW
43	IGNITOR
44	CARBURETTOR
45	PISTON
46	FRONT CRANKCASE